

N/D967

N/DYM® Dynamic Supercardioid
Concert Vocal Microphone



Key Features:

- Highest gain-before-feedback performance vocal microphone
- Optimized response for live performance
- EV-exclusive personality switch shapes sound
- High N/DYM® sensitivity
- Unique removable front grille assembly and pop filter for easy hygienic cleaning
- Superior multistage shock mount for unmatched low handling noise
- Warm Grip handle for more comfortable feel



General Description:

The Electro-Voice N/D967 is a supercardioid dynamic microphone ideally suited for vocal use in live sound reinforcement, including large and small concert sound venues. The characteristics of the N/D967 have been optimized to dramatically reduce feedback under live performance conditions. The N/D967 utilizes an optimized neodymium alloy magnetic structure to provide unprecedented output sensitivity.

The N/DYM® magnet geometry combined with a reinforced diaphragm design forms a smooth, extended frequency response with a warm, open and transparent sound quality.

The N/D967 microphone features an advanced version of the AcoustiDYM™ shock-mount system. This unique vibration isolating system works as a multistage device. At low frequencies, a rear sound wave cancels the diaphragm motion, while at high frequencies, the specially designed rubber shock mount isolates the transducer from motion. Combining AcoustiDYM™ with the elastomeric Warm-Grip™ handle and the windscreen bumper produces an advanced technology, vibration isolating system which dramatically reduces all forms of handling noise for the most demanding situations.

The N/D967 has a unique personality switch to fit the demands of live sound. In the normal position (⏏) the microphone exhibits a very smooth slightly rising response. This provides fuller sound and is preferred where the microphone is used several inches from the lips. In presence position (⏏), the mid frequencies are slightly attenuated. This gives the microphone more cut and clarity when used very close to the sound source.

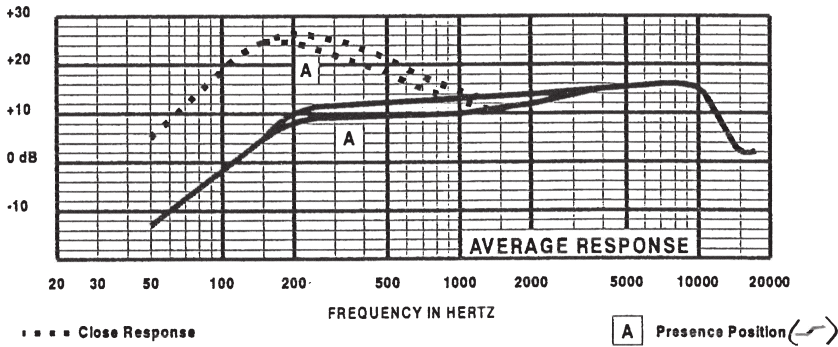
The microphone has a washable grille screen and two-stage pop filter to reduce wind blast noise. The stainless-steel retainer and hygienic pop filter make cleaning and disinfecting the grille screen a simple task.

Technical Specifications:

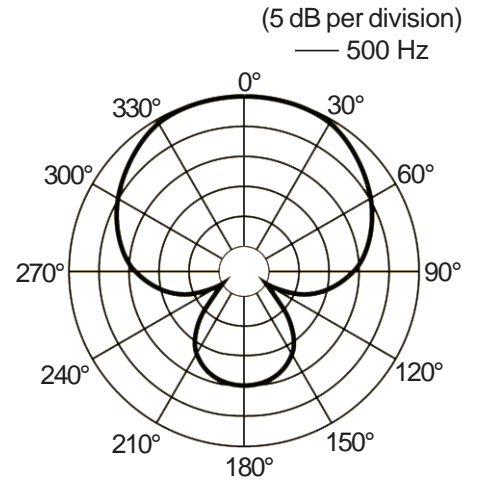
Element:	Dynamic N/DYM magnet structure
Freq. Response, Close:	50 Hz - 13,000 Hz
Freq. Response, Far:	120 Hz - 13,000 Hz
Polar Pattern:	Supercardioid
Sensitivity, Open Circuit Voltage @ 1 kHz:	4.0 mV/pascal
Dynamic Range:	142 dB
Equivalent Output Noise:	16 dB A weighted (0 dB = 0.00002 pascal)
Polarity:	Positive pressure on diaphragm causes positive voltage on pin 2 ref. pin 3
Impedance:	350 ohms balanced (low-z)
Microphone Connector:	3 pin XLR type
Finish:	Non-reflecting black
Accessories Included:	Mic Stand Adapter Soft Zippered "Gig" Bag
Dimensions, Length:	6.80" (173 mm)
Diameter:	2.05" (52 mm)
Shank:	0.80" (20 mm)
Net Weight:	9.2 oz (260 g)
Shipping Weight:	19.0 oz (538 g)

The N/D967 has a broadband supercardioid polar pattern. Compared to the more traditional, heart-shaped cardioid pattern, a supercardioid pattern rejects more sound at the sides and rear overall. These characteristics tend to reduce feedback under live performance conditions, particularly with typical monitor speaker placement, ensuring superior gain-before-feedback in live applications.

Frequency Response:



Polar Response:



Microphone Use and Placement

Please note that micing techniques are a matter of personal preference. These are merely guidelines to assist in the placement of the microphone to gain optimal performance.

Usage

Vocals

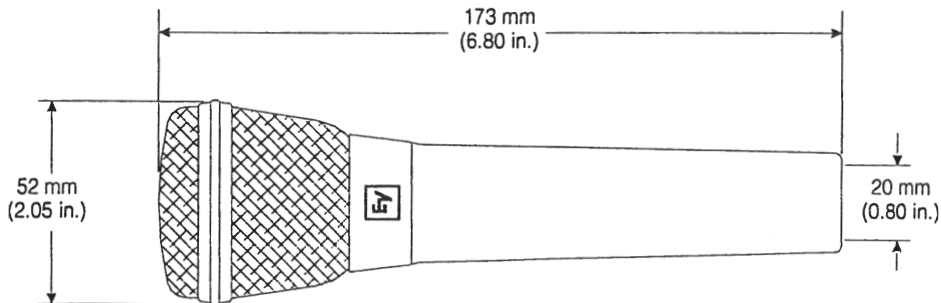
Optimal Placement

Lips touching the windscreen, and on axis with the microphone.

Standard Placement & Use Guidelines

1. Always point the microphone at the desired source of sound, and away from any unwanted sources.
2. The microphone should be located close to the sound source to minimize interference from other potential sound sources.
3. Use the 3-to-1 rule when using multiple microphones. Place each microphone three times farther from other microphones as from the desired sound source.
4. Minimize over-handling of the microphone to reduce unwanted mechanical noise.
5. Working close to the microphone will increase the bass tone and also provide increased gain-before-feedback.

Dimension Drawing:



N/D967 Part Number: 301340-000



12000 Portland Avenue South, Burnsville, MN 55337
 Phone: 952/884-4051, Fax: 952/884-0043

www.electrovoice.com

© Telex Communications, Inc. 9/2003
 Part Number 533873 Rev. D

U.S.A. and Canada only. For customer orders, contact Customer Service at:
800/392-3497 Fax: 800/955-6831

Europe, Africa, and Middle East only. For customer orders, contact Customer Service at:
+ 49 9421-706 0 Fax: + 49 9421-706 265

Other International locations. For customer orders, contact Customer Service at:
+ 1 952 884-4051 Fax: + 1 952 736-4212

For warranty repair or service information, contact the Service Repair department at:

800/553-5992 or 402/467-5321

For technical assistance, contact Technical Support at:

800/392-3497 or 952/736-4656

Specifications subject to change without notice.